

OPERATING INSTRUCTION MANUAL

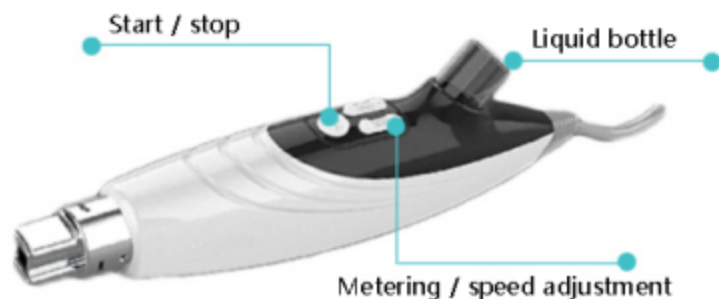
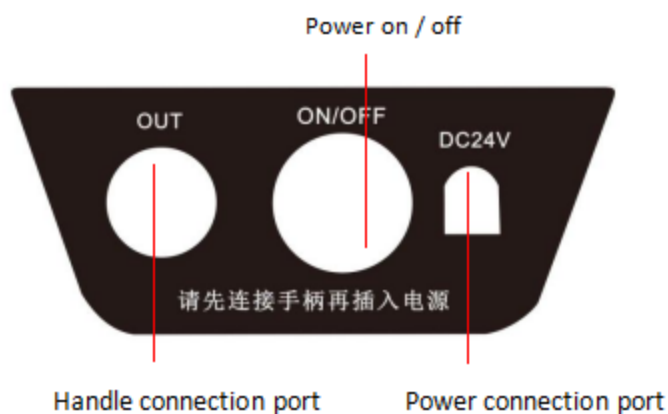
It is hereby explained:

This instrument is for life cosmetology,
not for medical cosmetology.



BEAUTY SERIES
No.H50

Instrument installation



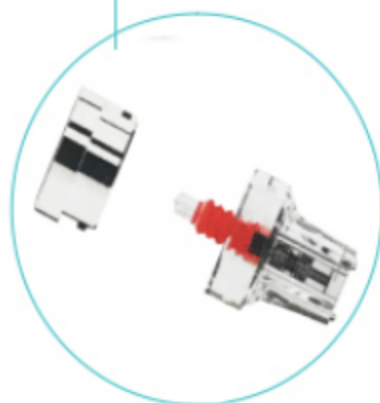
02 Step 2

Pour the stock solution into the stock solution bottle and insert the handle upside down into the stock solution bottle



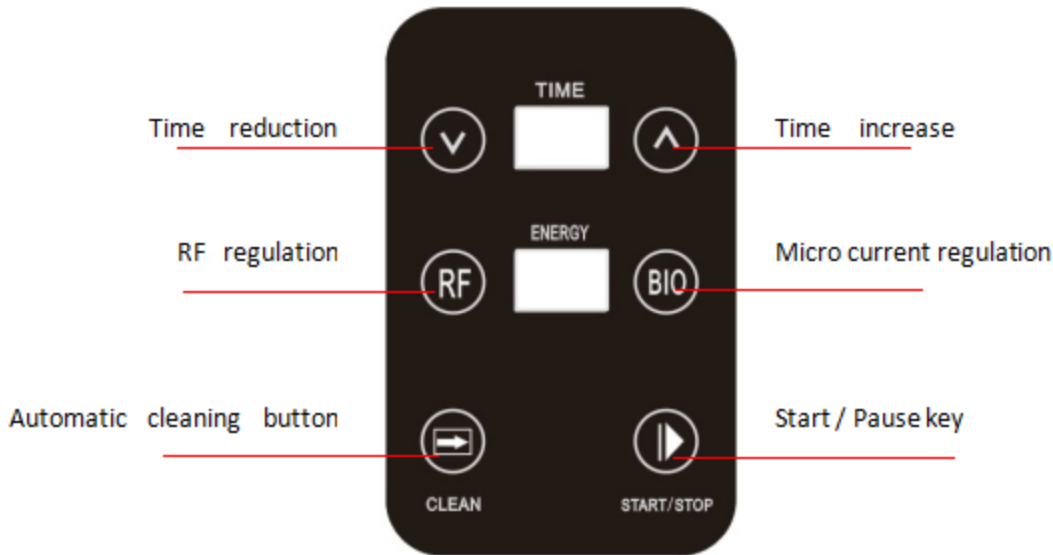
03 Step 3

Handle installation completed



Align the slot on the nanocrystal head with the fixed buckle on the handle, insert it and screw it clockwise

Interface introduction



Manipulation program

- 1、 Put the prepared materials neatly and empty a small area as the operation area, which should be kept clean, Can't put things in place
2. Clean the face (clean the facial cleanser)
3. Wear inspection gloves to thoroughly use the beauty guide and host base with alcohol gauze block, disinfect again, and touch alcohol with a small cotton swab
Disize the handle muzzle
4. Put the saline into the bottle and install to the handle.
5. The device operates the monocrystalline silicon wafer at one time, and click the "automatic cleaning key" to let the instrument automatically clean the pipeline.
Clean the saline in the bottle and click it
- 6、 Install the product to use in the bottle and install to the handle
- 7、 The instrument was operated for 15 minutes
- 8、 Apply the facial mask for 15 minutes
- 9、 Relax for 5 minutes
- 10、 Run skin
- 11、 After operation, put the saline into the bottle, the device to the handle, click "automatic cleaning key" to let the instrument
Conduct automatic pipe cleaning.

Matters need attention

Remove the metal hand accessories and do not play with your phone
The probe operates to any position in the skin, the probe must be solid, perpendicular to the skin, and must not tilt the probe,
Avoid concentrating your energy a little and hurting the skin.

1. Avoid the face that is microplastic
2. The instrument is not operated for three months of surgery on the face
3. Skin allergy period, inflammation period, after sunburn, female three periods do not operate

4. Avoid heart bypass surgery
5. There are no special taboos on the diet
6. Supplement more water and sunscreen

Keep in repair

1. The warranty period of this instrument is one year. (Note: Except for artificial damage)
2. The accessory warranty period is 3 months (note: except man-made damage)

Parameter

net weight:2KG

Complete machine power: 20W

Input voltage: DC 24V

Package size: 28.5 * 24.5 * 23CM